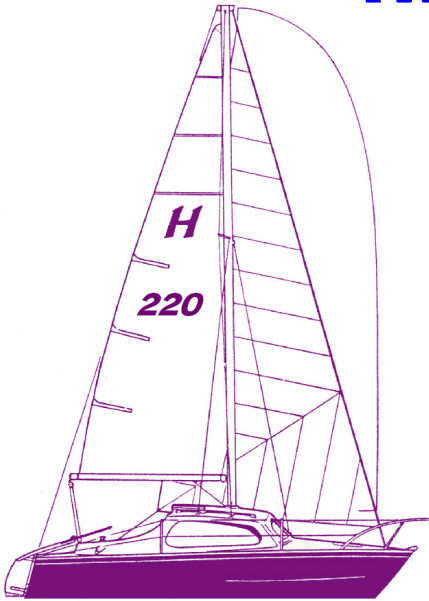


HA-1

Hirondelle Association



Membership Application Form

Please fill out this form HA-1, the Data Protection form HA-3, any Bank details HA-2 and with your payment cheque's made out to The Hirondelle Association and return to The Secretary;
E.Cook. 8, Anthony Close, Billericay, Essex.
CM11 2QD. United Kingdom.
ernie.cook@hirondelle.org

Please note, Ownership of a Hirondelle is not a requirement for membership of the Association

ALL APPLICANTS PLEASE COMPLETE THIS SECTION

Please print your details clearly;

Your Name;

Date of Application;

Address;

Tel No Home;

Work/Mobile;

Email address;

Age;

Interests please underline; Cruising Racing Crewing Fishing Other

BOAT OWNERS ONLY PLEASE COMPLETE THIS SECTION.

Boat details :

Name

Mk or Type

Berth location

Club membership

Hull/Sail No

Hull colour

Builder

Year of build

Please give all details you are able, we are trying to keep up with each boats history, we can only do that with your input, many thanks in anticipation.

hirondelle-association.org

HAPPY sailing with two hulls